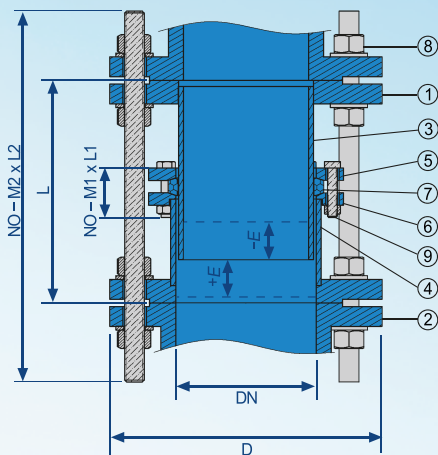


serie  
**UR-79**



## CARRETE DE DESMONTAJE DE ACERO

DISMANTLING JOINT MADE IN STEEL



REF.	PN-10					
	DN	D	L	±E	NO-M2-L2	NO-M1-L1
UR-79-DN050	50	165	180	30	4-M16x330	8-M8x40
UR-79-DN065	65	185	180	30	4-M16x330	8-M8x40
UR-79-DN080	80	200	180	30	8-M16x330	8-M8x40
UR-79-DN100	100	220	180	30	8-M16x330	8-M8x40
UR-79-DN125	125	250	180	30	8-M16x330	8-M8x40
UR-79-DN150	150	285	200	30	8-M20x360	8-M8x40
UR-79-DN200-10	200	340	230	30	8-M20x390	8-M8x50
UR-79-DN250-10	250	400	230	40	12-M20x410	6-M10x55
UR-79-DN300-10	300	455	230	40	12-M20x410	6-M10x55
UR-79-DN350-10	350	505	250	40	16-M20x440	8-M10x55
UR-79-DN400-10	400	565	250	40	16-M24x440	8-M12x60
UR-79-DN450-10	450	615	250	40	20-M24x440	10-M12x60
UR-79-DN500-10	500	670	240	40	20-M24x440	10-M12x60
UR-79-DN600-10	600	780	300	50	20-M27x520	10-M12x60

REF.	PN-16					
	DN	D	L	±E	NO-M2-L2	NO-M1-L1
UR-79-DN050	50	165	180	30	4-M16x330	8-M8x40
UR-79-DN065	65	185	180	30	4-M16x330	8-M8x40
UR-79-DN080	80	200	180	30	8-M16x330	8-M8x40
UR-79-DN100	100	220	180	30	8-M16x330	8-M8x40
UR-79-DN125	125	250	180	30	8-M16x330	8-M8x40
UR-79-DN150	150	285	200	30	8-M20x360	8-M8x40
UR-79-DN200-16	200	340	230	30	8-M20x390	6-M10x55
UR-79-DN250-16	250	400	230	40	12-M24x420	6-M10x55
UR-79-DN300-16	300	455	230	40	12-M24x420	6-M10x55
UR-79-DN350-16	350	520	250	40	16-M24x440	8-M10x55
UR-79-DN400-16	400	580	250	40	16-M27x460	8-M12x60
UR-79-DN450-16	450	640	250	40	20-M27x460	10-M12x60
UR-79-DN500-16	500	715	240	40	20-M30x460	10-M12x60
UR-79-DN600-16	600	840	300	50	20-M33x540	10-M12x60

- Facilita el montaje y mantenimiento de tuberías y otros elementos, dando flexibilidad a las líneas en su sentido longitudinal.
- Amplia gama de diámetros desde DN-50 a DN-600.
- Presión de trabajo PN-10 y PN-16.
- Barrenado: EN 1092-1 PN-10/PN-16.
- Bridas de acero al carbono S235JR.
- Virolas de acero inoxidable AISI 304.
- Revestimiento EPOXY de 250µ de media.
- Tornillería inoxidable AISI 304 y juntas de goma EPDM.
- Permite el uso de varillas de lado a lado para facilitar el montaje.

- It makes the assembly and maintenance of the pipes and other elements easier, giving flexibility to the lines in the longitudinal direction.
- Wide range of diameters covering from DN-50 up to DN-600.
- PN-10 and PN-16 operating pressure.
- Flanges: Acc. to EN-1092-1 PN-10/PN-16.
- Flanges made of steel S235JR.
- Stainless steel ring AISI 304.
- 250µ EPOXY average coating.
- Equipped with stainless steel bolts and washers, and EPDM rubber seal.
- Possibility to use stud rods for eas assembly.

**UR-cast**  
Water Fittings

www.ur-cast.com  
Tfno: (+34) 945 200 466 - Fax: (+34) 945 249 867  
C/ Urartea nº 15-17, pab. 6-10, P. I. ALI GOBEO / 01010 VITORIA-GASTEIZ / ÁLAVA (Spain)